



The Candeo Smartfoss Water Timer is a Zigbee connected smart water valve, allowing you to integrate your outdoor irrigation into your smart home ecosystem.

Requires a Smart Life account, and a Tuya Zigbee Gateway/Hub (not included).

## Specifications

Power Supply	2 x 1.5V AA alkaline batteries
Battery Life	1 year with typical use
Working temperature	1°C - 50°C
Water Protection level	IP54
Maximum water pressure range	0.03~0.8MPA
Low voltage alarm	2.4V alarm, 2.2V forced shutdown
Low temperature alarm	5°C



## Features

**Manual mode:** The watering function can be turned on/off through the button on the water timer. The watering function can also be turned on/off remotely through the manual switch within the Smart Life app.

**Programming function:** Various programs can be set, such as daily/multi-day/weekly cycles, using the Smart Life app. (Up to 4 different programs can be running at the same time).

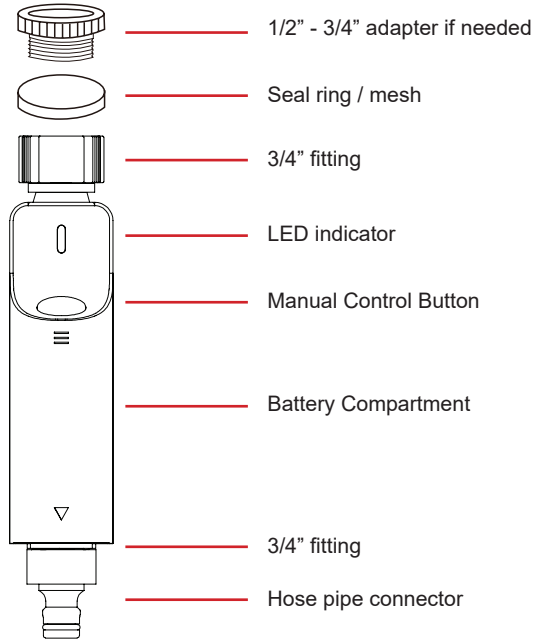
**Rain delay function:** Using the Smart Life app the watering device can read third-party weather data, and react according to the weather conditions. You can manually set a delay of 24 hours, 48 hours or 72 hours of watering if rain is forecast, and automatically cancel the scheduled watering programs within the delay period.

**Alarm function:** When the battery is low the Smart Life app will notify you.

**Remote control function:** The valve can be controlled remotely using the Smart Life app, to initiate water flow whenever you require.

**Voice control function:** You can control the water timer using your voice by connecting the Smart Life app with your Amazon Alexa or Google Assistant.

**Anti-freezing function:** The water timer includes an antifreeze function to prevent damage to the device in attempted irrigation in freezing temperatures.

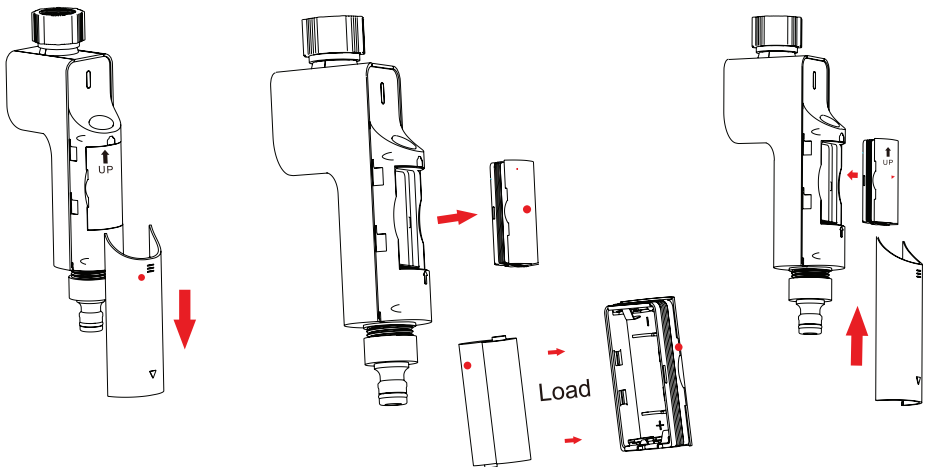


## Installing the battery

1. Open the battery slide cover.

2. Remove the battery housing and install 2 x AAA batteries.

3. Re-install the battery housing and slide the cover up back into position.



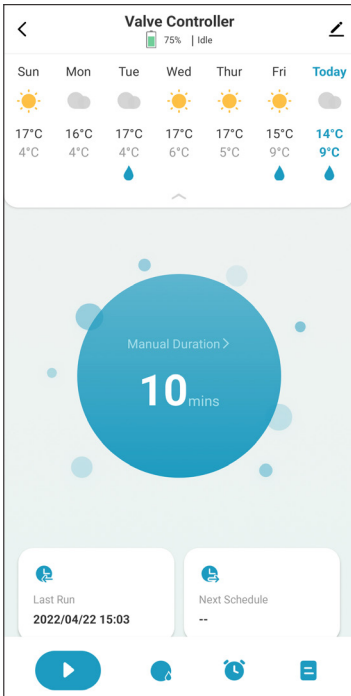
## Pairing to Smart Life

1. Ensure that you have already set up your Smart Life account and set up your Tuya Zigbee Hub/Gateway.
  - i. If this is your first Smart Life/Tuya device you will need to download the Smart Life app from your app store and create an account.
  - ii. This water timer is a Zigbee device so requires a Tuya Zigbee Hub/Gateway to be already be paired with your Smart Life account.
2. In the Smart Life app choose to add a device.
3. Long press the button on the water timer for 3 seconds to initiate pairing mode. During the pairing process the LED indicator will flash red and green alternately.
4. Your Smart Life app will find the device and give you the option to name it as you choose.

## Getting Started

Once you have successfully paired the water timer to your Smart Life app, you can access the features of the device with 4 main smart control options.

Open the device in your Smart Life app, and the main controls are across the bottom of the page.



### Manual Start

Use this button to manually start and stop the water timer. The default time to automatically turn off a manual watering event is 10 minutes, and this can be changed by tapping “Manual Duration” in the middle of the screen.

### Set the delay time in the event of rain

This option allows you to delay any scheduled irrigation in the event of rain, and for a determined time period following the rain.

### Set a scheduled program

This option allows you to create 2 different types of schedule program:

1. Normal Schedule - allowing you to program the days of the week, the time, and duration for each scheduled watering.
2. Cycle and Soak - allowing you program repeat irrigation cycles during the determined days and time.

### Check the history

This option shows you your total water consumption and irrigation history.

## Anti-freeze function

Press and hold the button of the water timer for 8 seconds until the green light flashes twice to turn on the antifreeze function. Press and hold the button of the water timer again for 8 seconds until the red light flashes twice to turn off the antifreeze function.

The default setting for the antifreeze function is off.

Tips: When the antifreeze function is turned on, and the temperature is lower than 5°C, the water timer will automatically shut down. It will not run again until the temperature is higher than 5°C.

## Alexa and Google Assistant

To use the device with Amazon Alexa, you will need to install Smart Life skill within your Amazon Alexa app.

Once Smart Life has been connected to your Alexa app, you will be able to control the watering device by saying:

“Alexa, turn on {your chosen device name}”

“Alexa, turn off {your chosen device name}”

To use the device with Google Home you need to connect Smart Life by following the instructions in the Google Home app. Once Smart Life has been connected to your Google Home, you will be able to control the watering device by saying:

“Hey Google, turn on {your chosen device name}”

“Hey Google, turn off {your chosen device name}”

## Factory Reset

If you need delete the device from your Smart Life account, or perform a factory reset:

1. Select the device in the Smart Life app and tap the edit icon in the top right corner.
2. Scroll to the bottom to select “Remove Device”
3. Choose “Disconnect and Wipe Data”.

## Notes

- Smart Life is a 3rd party app provided by Tuya. We have no control or influence over future updates of that app that may cause these instructions to become out of date. In the event of changes to the app interface you will be able to access up to date instructions from our website at [www.candeo.io](http://www.candeo.io)



For further support please go to [www.candeo.io](http://www.candeo.io)

Instructions version: 2204.1